

Burns and Ferrall Locations

AUCKLAND
 12 Reg Savory Place
 East Tamaki, Auckland

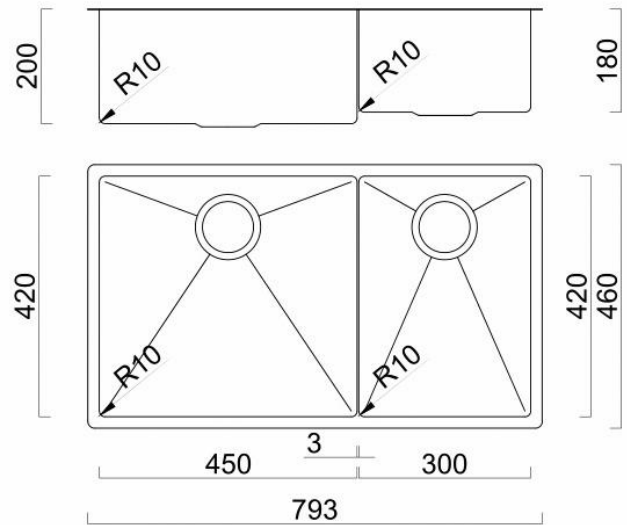
0800 697 465

WELLINGTON
 122-124 Tory Street
 Te Aro

HAMILTON
 60 Alexandra Street
 Central

CHRISTCHURCH
 345 St Asaph Street
 Christchurch

Product Specification Sheet
CAB450DLH



Cayman

Aquis Cayman 450/210 Double Bowl

Models	Corner Radius
14 CAB450DLH	10mm
14 CAB450DRH	
Overall Dimensions W x D	Waste
793 x 460mm	90mm
Bowl Dimensions W x D x H	Installation
450 x 420 x 200mm	Top / Flush / Undermount
2nd Bowl Dimensions: W x D x H	Minimum Cabinet Size
300 x 420 x 180mm	875mm

Material & Finish

1.0mm 304 Stainless Steel,
 Scotchbrite

Accessories Available (optional)



AQBCO
 COLANDER
 445 X 165mm



AQBCT
 CONCERTINA
 460 X 470mm



AQBDT
 DRAINING TRAY
 445 X 360mm



AQBCB
 CHOPPING BOARD
 440 X 300mm



AQBDB
 DRAINING BASKET
 435 X 330mm

E&OE – it is recommended all measurements are taken directly from the product. Specification subject to change without notice, always consult the literature supplied with the product. Coloured images are indicative only.